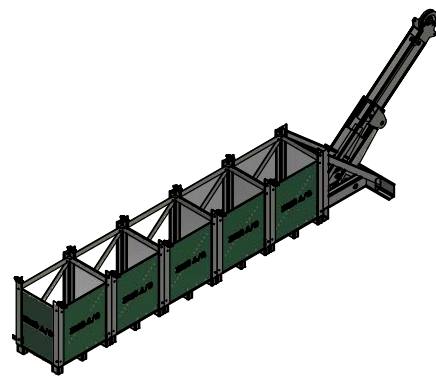
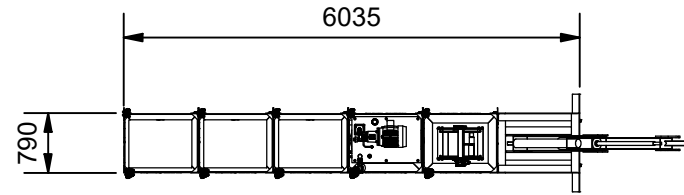
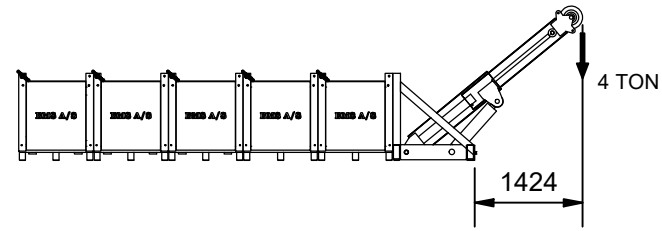


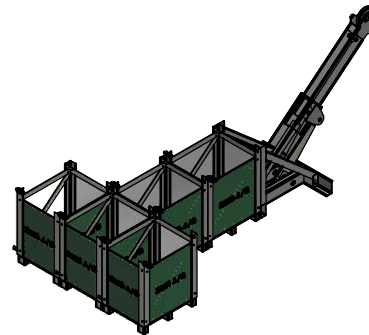
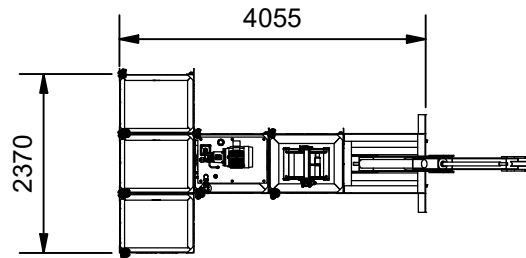
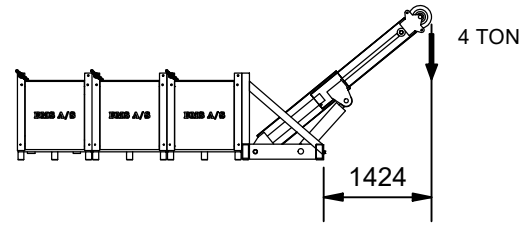
### Nr 1

SAMLET VÆGT: 3 TON  
TRYK PÅ BÆREBJÆLKE: 6.5 TON



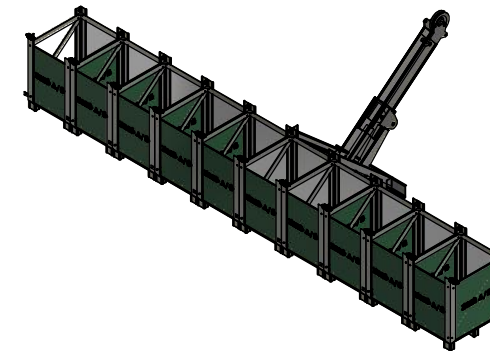
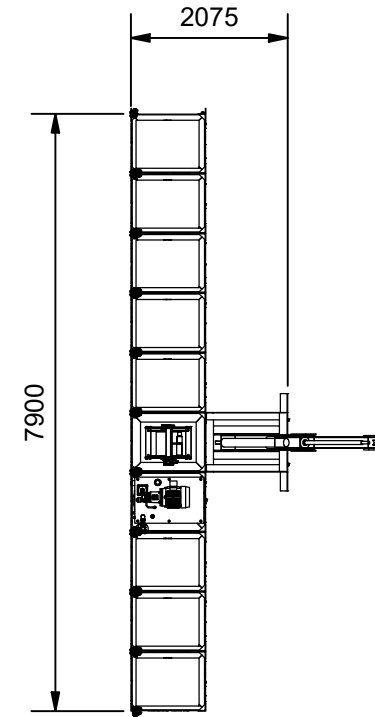
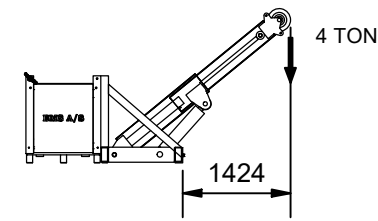
### Nr 2

SAMLET VÆGT: 3 TON  
TRYK PÅ BÆREBJÆLKE: 6.6 TON



### Nr 3

SAMLET VÆGT: 5.5 TON  
TRYK PÅ BÆREBJÆLKE: 8.5 TON



#### GENERAL NOTES

1. PRELIMINARY  
-PLEASE NOTE THAT SHOWN CONFIGURATIONS ARE  
BASED ON UNCHECKED CALCULATIONS AND WILL  
UNDERGO CHANGES DURING FINALIZING OF DESIGN

# BMS

BMS Engineering & Projects  
www.bms.dk

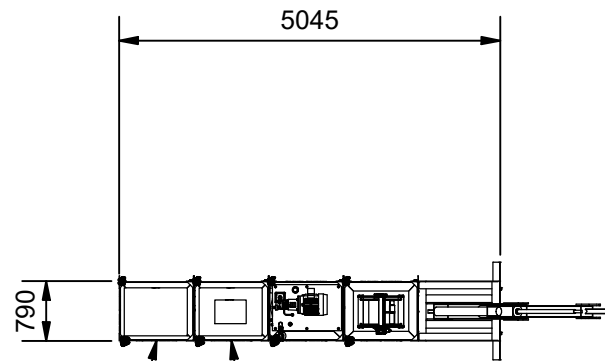
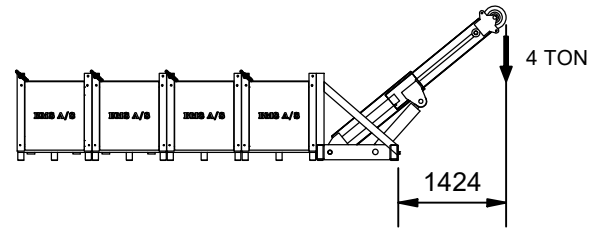
+45 70 137 138

This drawing is the property of BMS and cannot without the accept of BMS be handed over to a third party.

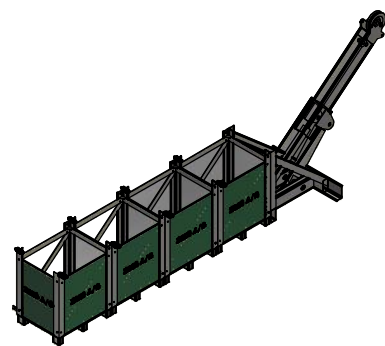
Project	RULLETRAPPEKRAN		
Subject	WLL 4 TON		
	MAX MODULE WEIGHT 500kg		
	PRELIMINARY		
	Date	13-02-2020	
Rev. date			
Original size			A3
Scale			1 : 100
Initials			JBM
Checked			
Draw.no.	CONFIGURATIONS		
Rev.			

### Nr 4

SAMLET VÆGT: 3 TON  
TRYK PÅ BÆREBJÆLKE: 6.6 TON

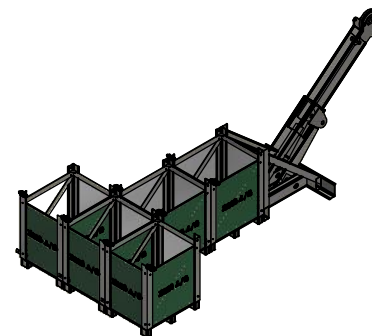
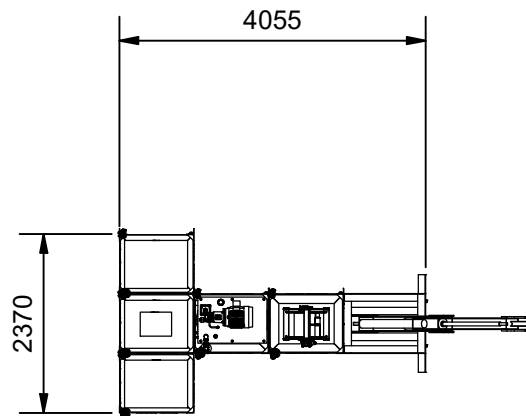
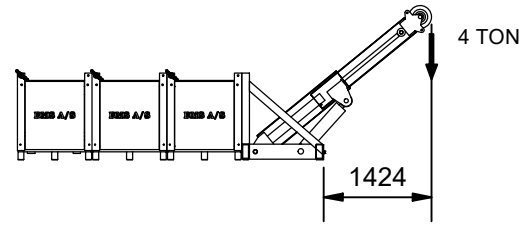


MODUL 500kg      MODUL 1000kg



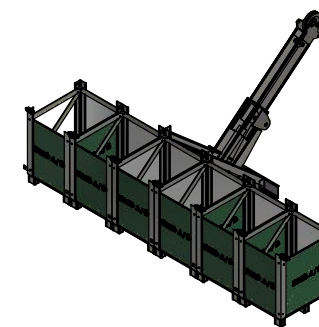
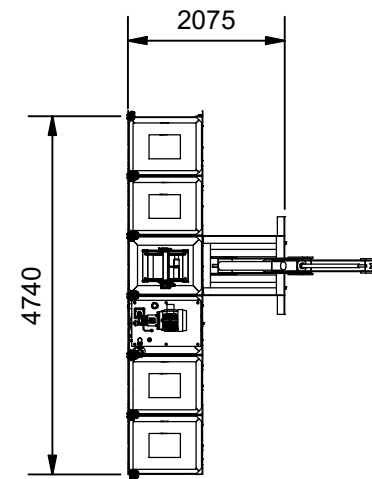
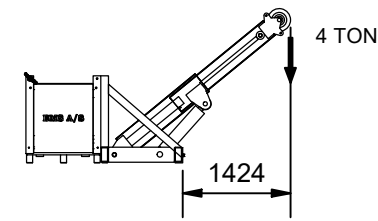
### Nr 5

SAMLET VÆGT: 3.5 TON  
TRYK PÅ BÆREBJÆLKE: 6.7 TON



### Nr 6

SAMLET VÆGT: 5.5 TON  
TRYK PÅ BÆREBJÆLKE: 8.5 TON



#### GENERAL NOTES

1. PRELIMINARY  
-PLEASE NOTE THAT SHOWN CONFIGURATIONS ARE  
BASED ON UNCHECKED CALCULATIONS AND WILL  
UNDERGO CHANGES DURING FINALIZING OF DESIGN



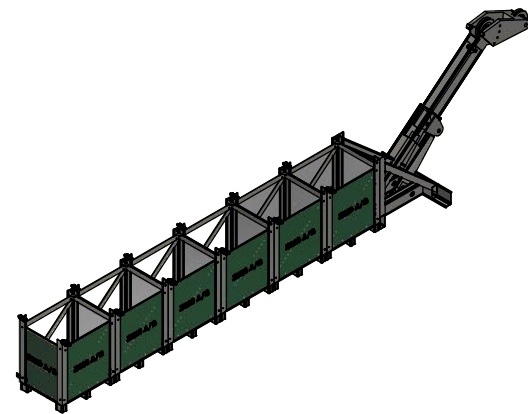
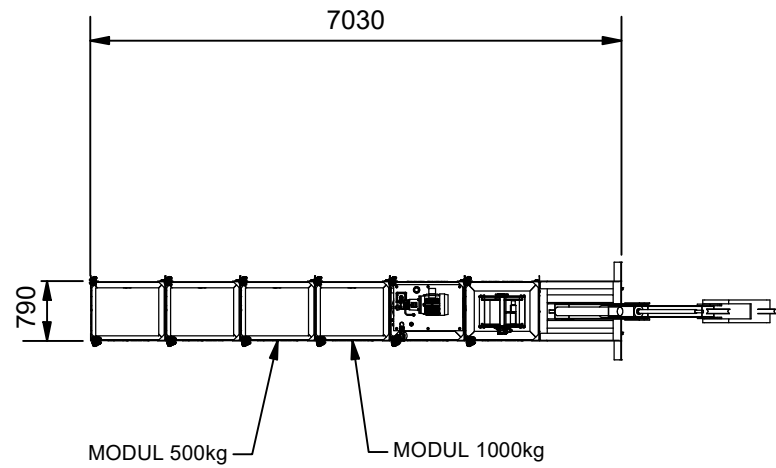
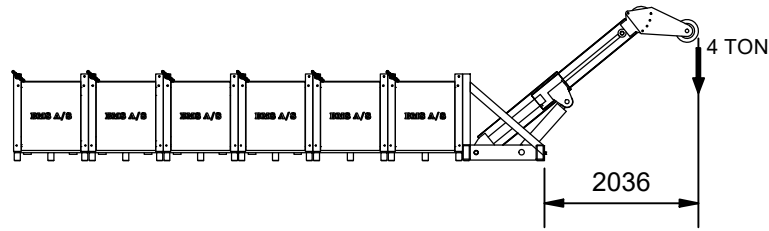
BMS Engineering & Projects      +45 70 137 138  
www.bms.dk

This drawing is the property of BMS and cannot without the accept of BMS be handed over to a third party.

Project	RULLETRAPPEKRAN		
Subject	WLL 4 TON	Date	13-02-2020
	MAX MODULE WEIGHT 1000kg	Rev. date	
	PRELIMINARY	Original size	A3
		Scale	1 : 100
		Initials	JBM
		Checked	
Draw.no.	Configurationer2	Rev.	

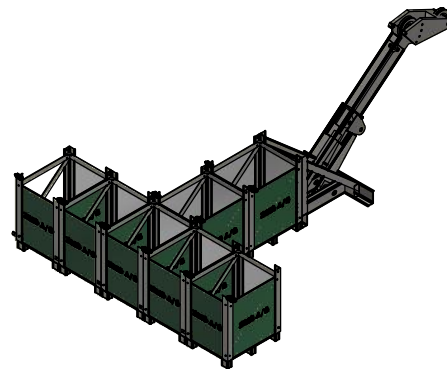
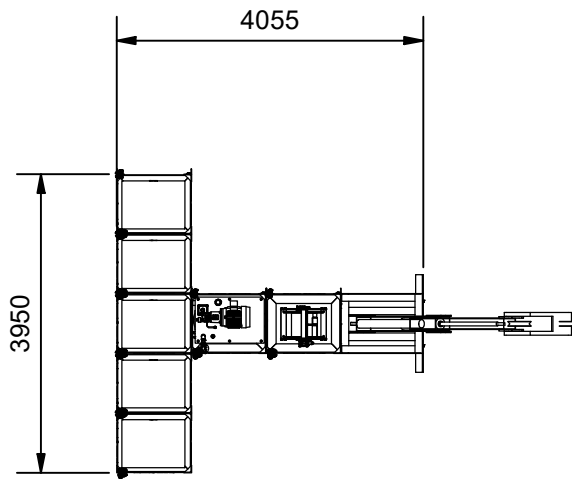
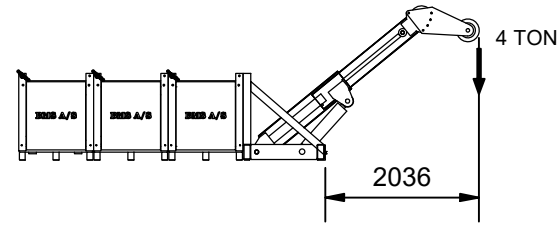
# Nr 7

SAMLET VÆGT: 3.5 TON  
TRYK PÅ BÆREBJÆLKE: 7.0 TON



# Nr 8

SAMLET VÆGT: 4.0 TON  
TRYK PÅ BÆREBJÆLKE: 7.4 TON



### GENERAL NOTES

1. PRELIMINARY  
-PLEASE NOTE THAT SHOWN CONFIGURATIONS ARE  
BASED ON UNCHECKED CALCULATIONS AND WILL  
UNDERGO CHANGES DURING FINALIZING OF DESIGN

# BMS

BMS Engineering & Projects  
www.bms.dk

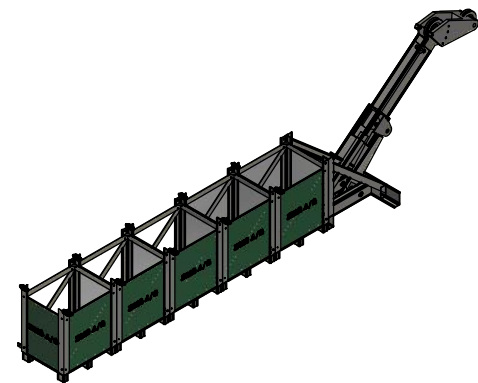
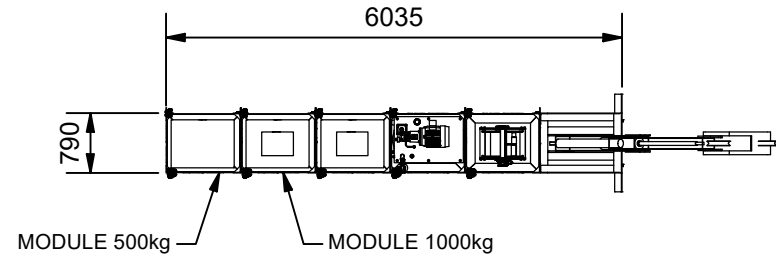
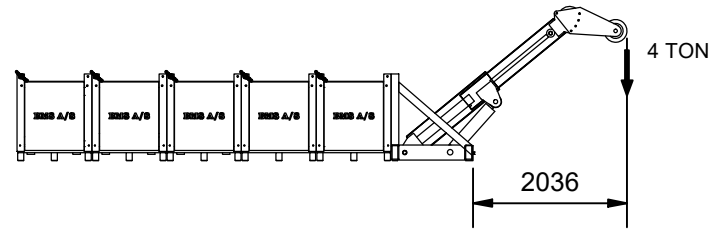
+45 70 137 138

This drawing is the property of BMS and cannot without the accept of BMS be handed over to a third party.

Project	RULLETRAPPEKRAN		
Subject	WLL 4 TON	Date	13-02-2020
	WITH BOOM EXTENSION AND	Rev. date	
	MAX MODULE WEIGHT 500kg	Original size	A3
	PRELIMINARY	Scale	1 : 100
		Initials	JBM
		Checked	
Draw.no.	Configurationer3	Rev.	

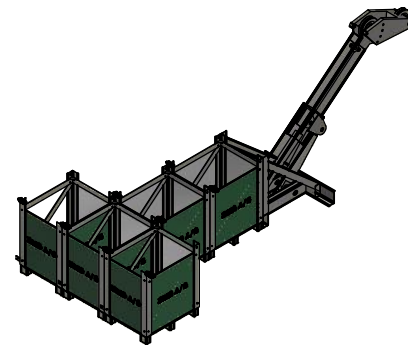
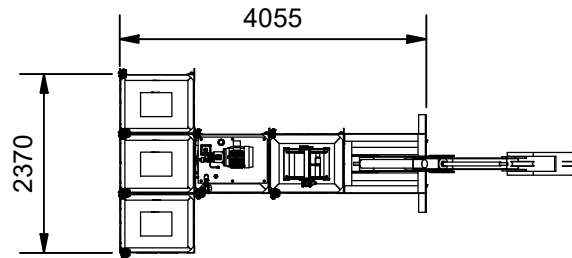
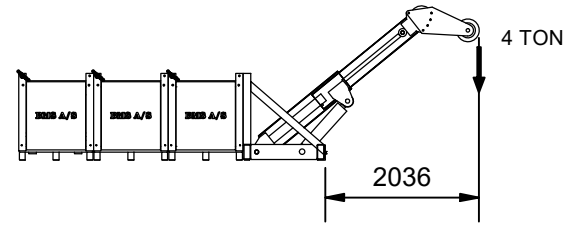
# Nr 10

SAMLET VÆGT: 4 TON  
TRYK PÅ BÆREBJÆLKE: 7.3 TON



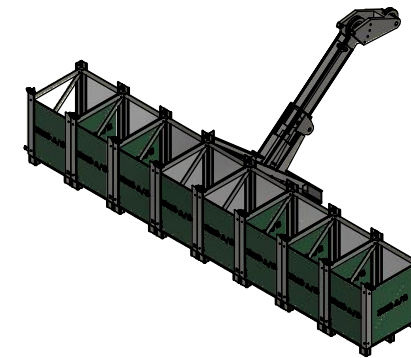
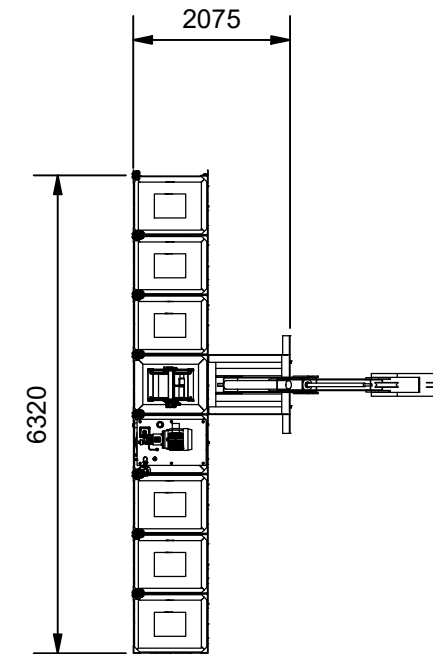
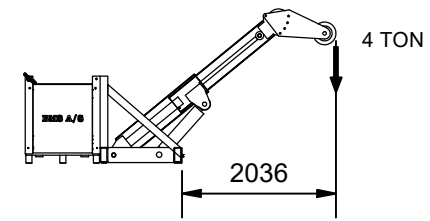
# Nr 11

SAMLET VÆGT: 4.5 TON  
TRYK PÅ BÆREBJÆLKE: 7.4 TON



# Nr 12

SAMLET VÆGT: 7.5 TON  
TRYK PÅ BÆREBJÆLKE: 10.2 TON



### GENERAL NOTES

1. PRELIMINARY  
-PLEASE NOTE THAT SHOWN CONFIGURATIONS ARE  
BASED ON UNCHECKED CALCULATIONS AND WILL  
UNDERGO CHANGES DURING FINALIZING OF DESIGN

# BMS

BMS Engineering & Projects  
www.bms.dk

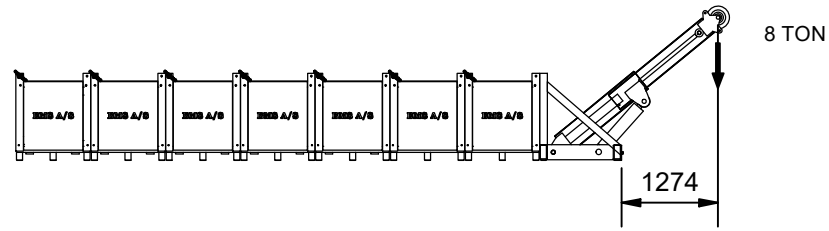
+45 70 137 138

This drawing is the property of BMS and cannot without the accept of BMS be handed over to a third party.

Project	RULLETRAPPEKRAN		
Subject	WLL 4 TON	Date	13-02-2020
	WITH BOOM EXTENSION AND	Rev. date	
	MAX MODULE WEIGHT 1000kg	Original size	A3
	PRELIMINARY	Scale	1 : 100
		Initials	JBM
		Checked	
Draw.no.	Configurationer4	Rev.	

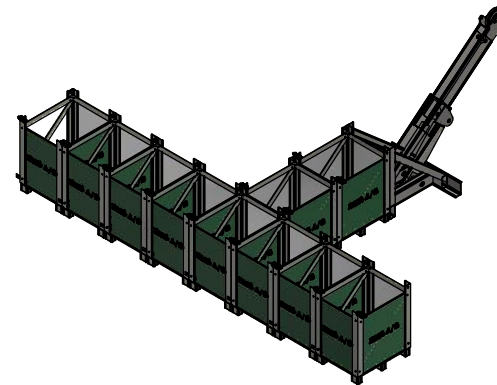
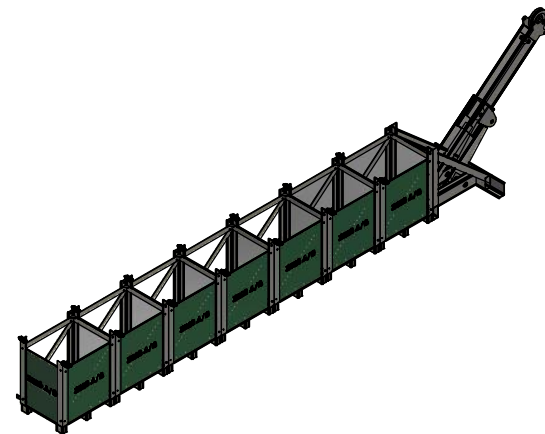
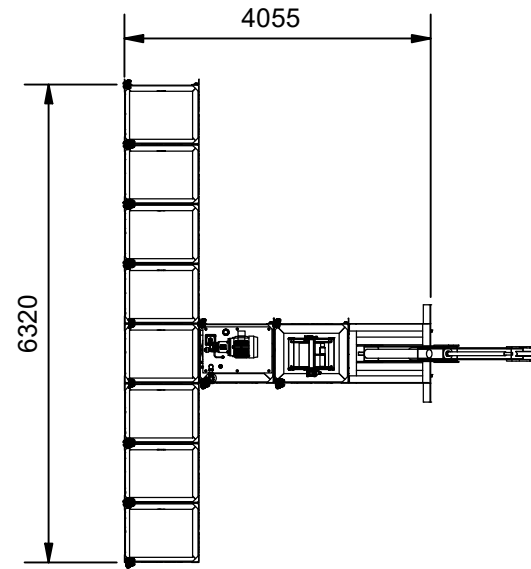
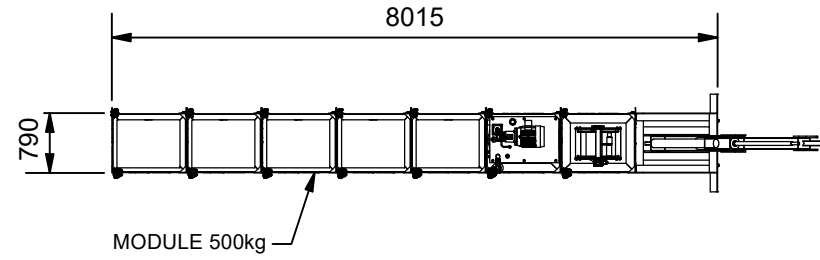
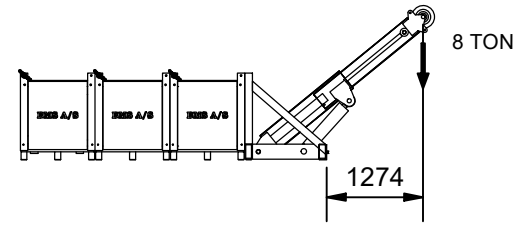
# Nr 13

SAMLET VÆGT: 4 TON  
TRYK PÅ BÆREBJÆLKE: 11.5 TON



# Nr 14

SAMLET VÆGT: 5.5 TON  
TRYK PÅ BÆREBJÆLKE: 12.4 TON



**GENERAL NOTES**

1. PRELIMINARY  
-PLEASE NOTE THAT SHOWN CONFIGURATIONS ARE  
BASED ON UNCHECKED CALCULATIONS AND WILL  
UNDERGO CHANGES DURING FINALIZING OF DESIGN



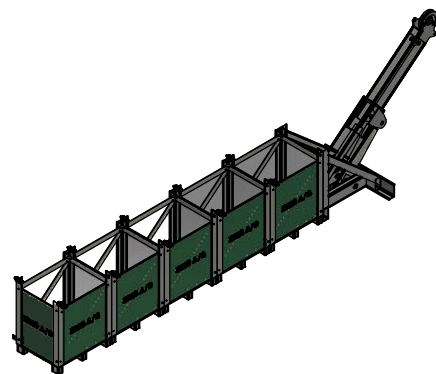
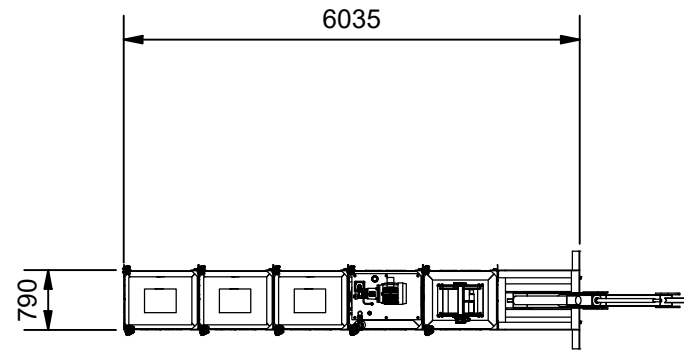
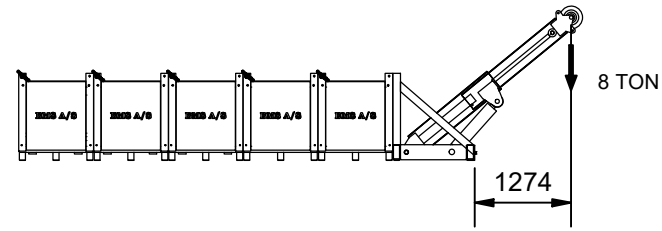
BMS Engineering & Projects +45 70 137 138  
www.bms.dk

This drawing is the property of BMS and cannot without the accept of BMS be handed over to a third party.

Project	RULLETRAPPEKRAN		
Subject	WLL 8 TON	Date	13-02-2020
	MAX MODULE WEIGHT 500kg	Rev. date	
	PRELIMINARY	Original size	A3
		Scale	1 : 100
		Initials	JBM
		Checked	
Draw.no.	Configurationer5	Rev.	

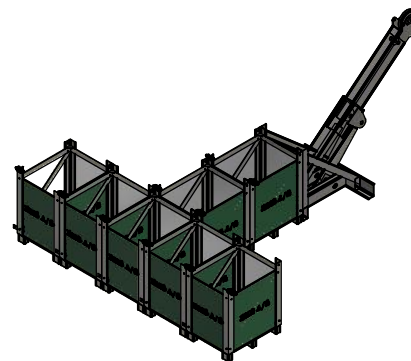
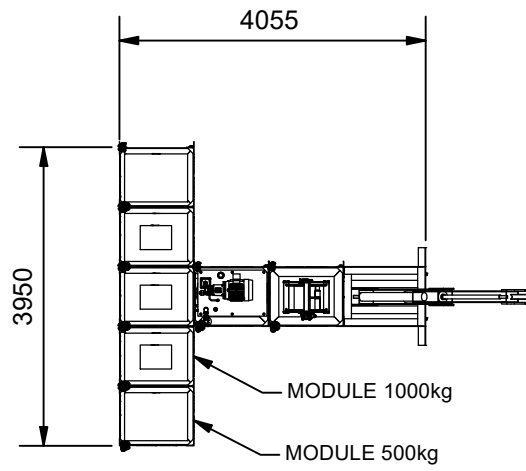
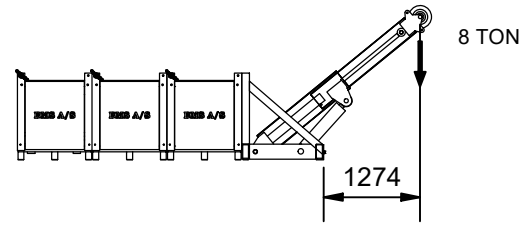
### Nr 16

SAMLET VÆGT: 4.5 TON  
TRYK PÅ BÆREBJÆLKE: 11.9 TON



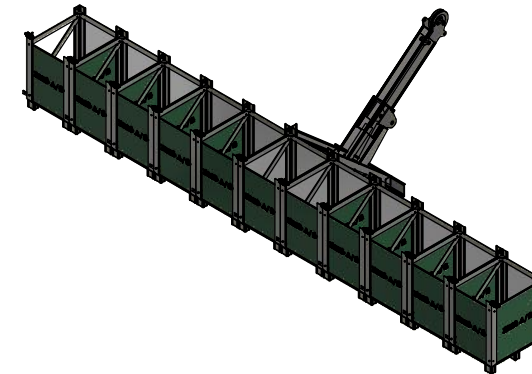
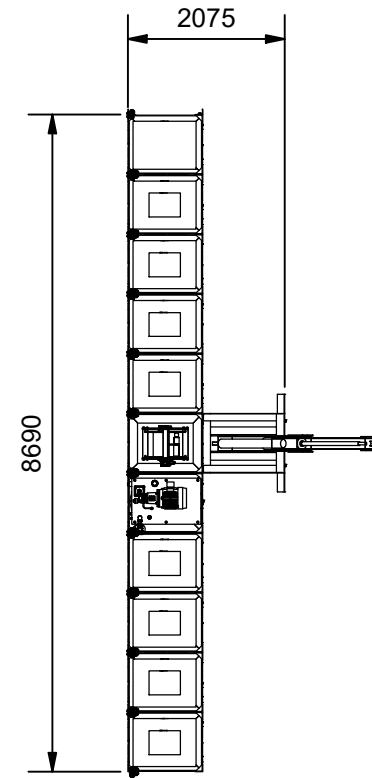
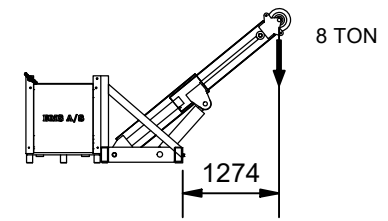
### Nr 17

SAMLET VÆGT: 5.5 TON  
TRYK PÅ BÆREBJÆLKE: 12.4 TON



### Nr 18

SAMLET VÆGT: 10.5 TON  
TRYK PÅ BÆREBJÆLKE: 16.7 TON



#### GENERAL NOTES

1. PRELIMINARY  
-PLEASE NOTE THAT SHOWN CONFIGURATIONS ARE  
BASED ON UNCHECKED CALCULATIONS AND WILL  
UNDERGO CHANGES DURING FINALIZING OF DESIGN

# BMS

BMS Engineering & Projects  
www.bms.dk

+45 70 137 138

This drawing is the property of BMS and cannot without the accept of BMS be handed over to a third party.

Project	RULLETRAPPEKRAN		
Subject	WLL 8 TON	Date	13-02-2020
	MAX MODULE WEIGHT 1000kg	Rev. date	
	PRELIMINARY	Original size	A3
		Scale	1 : 100
		Initials	JBM
		Checked	
Draw.no.	Configurationer6	Rev.	